



EXU Technical data.

Low lift pallet truck.

EXU 16

EXU 18

EXU 20

EXU 22

EXU-H

EGU 30



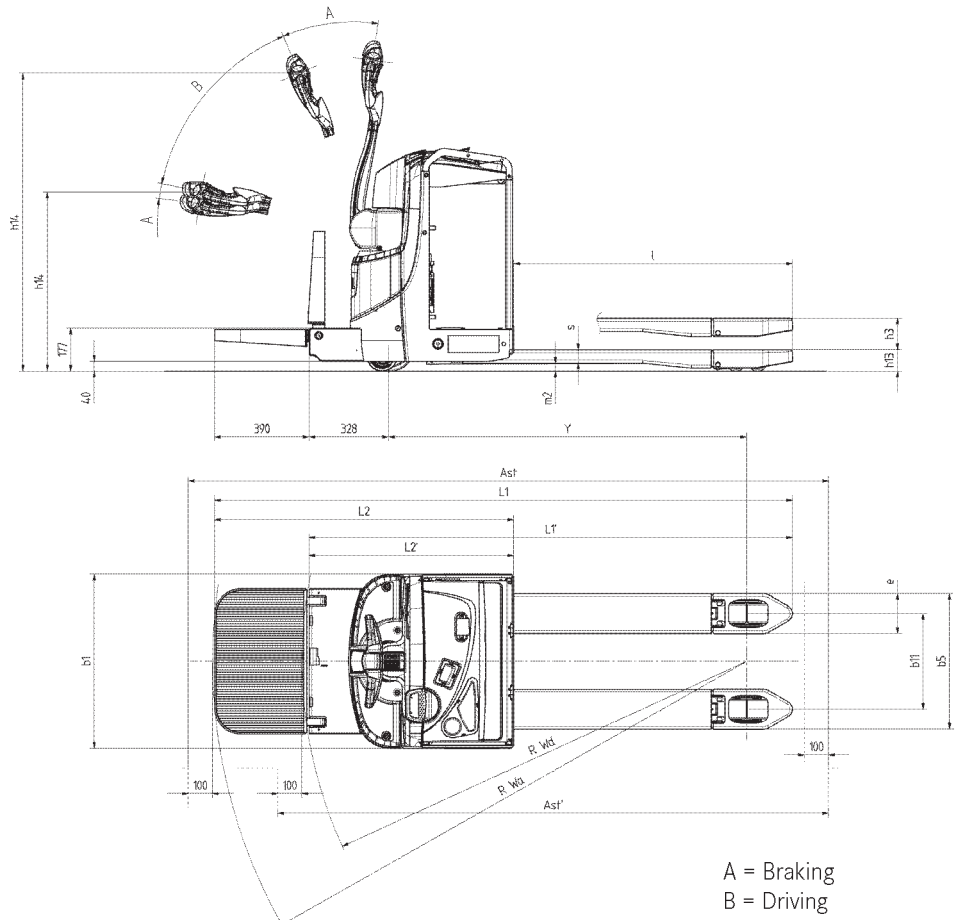
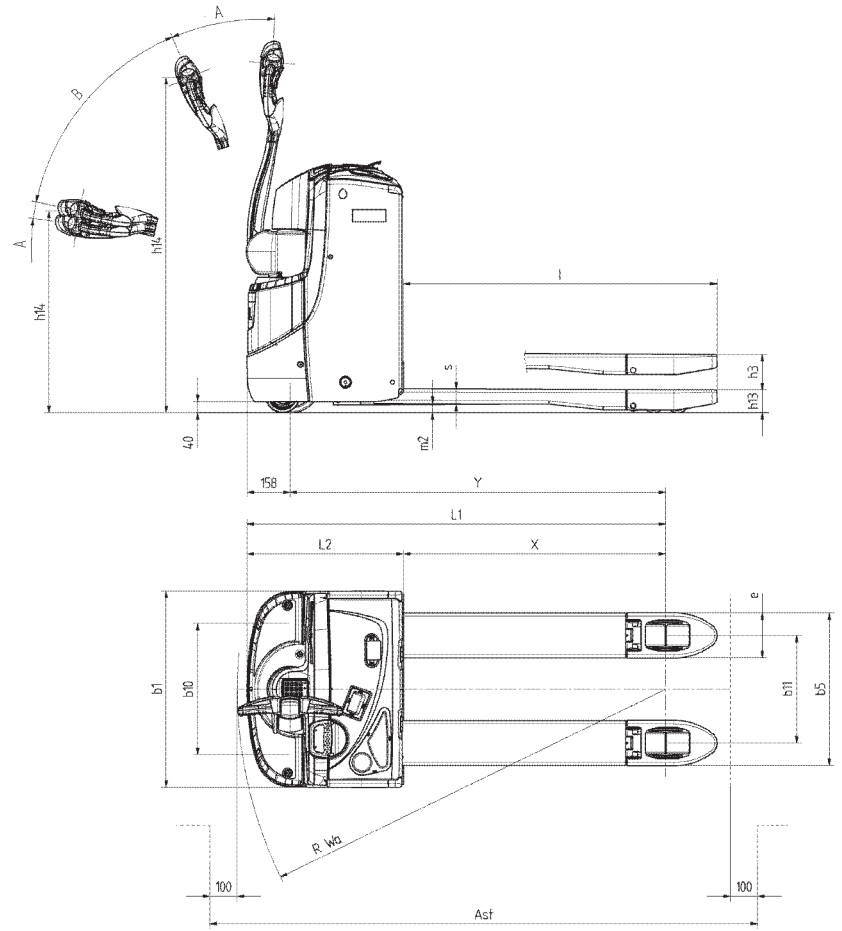
Characteristics	1.1	Manufacturer				STILL	STILL
	1.2	Manufacturer's model designation				EXU16	EXU18
	1.3	Power supply (electric, diesel, petrol, gas, mains electric)				Electric	Electric
	1.4	Type of control (hand, pedestrian, stand-on, rider seated, order picker)				Pedestrian	Pedestrian
	1.5	Capacity/load		Q	kg	1600	1800
	1.6	Nominal load centre		c	mm	600	600
	1.8	Load distance	Initial lift up/down	x	mm	962/895,5	962/895,5
	1.9	Wheelbase	Initial lift up/down	y	mm	1304/1237,5	1304/1237,5
	Weight	2.1	Weight (incl. Battery)		kg	430	430
2.2		Axle loadings laden	drive end/load end	kg	680/1350	680/1350	
2.3		Axle loadings unladen	drive end/load end	kg	384/104	384/104	
Wheels, Tyres	3.1	Tyres (rubber, pneumatic, polyurethane)				Polyurethane	Polyurethane
	3.2	Tyre size	drive end	mm	mm	230 x 75	230 x 75
	3.3	Tyre size	load end	mm	mm	85 x 100	2 - 85 x 80
	3.4	Castor wheels (size)	antriebsseitig	mm	mm	125 x 40	125 x 40
	3.5	Wheels, number (x=drive wheel)	drive end/load end			1x + 2/2	1x + 2/4
	3.6	Track width	drive end	b ₁₀	mm	482	482
	3.7	Track width	load end	b ₁₁	mm	395	395
Dimensions	4.4	Lift height		h ₃	mm	125	125
	4.9	Height of tiller in drive position	mini/maxi	h ₁₄	mm	740/1250	740/1250
	4.15	Forks height lowered		h ₁₃	mm	85	85
	4.19	Overall Length		l ₁	mm	1650	1650
	4.20	Length to front face of forks		l ₂	mm	500	500
	4.21	Overall width		b ₁	mm	720	720
	4.22	Forks dimensions		s/e/l	mm	55/165/1150	55/165/1150
	4.25	Forks external width		b ₅	mm	520/560/680	520/560/680
	4.32	Floor clearance, centre of wheelbase	Initial lift up/down	m ₂	mm	30/155	30/155
	4.34	Working aisle width for pallets 800 x 1200 lengthwise (b ₁₂ x l ₆)	Initial lift up/down	A _{st}	mm	1954/1954	1954/1954
4.35	Outer turning radius	Initial lift up/down	W _a	mm	1516/1450	1516/1450	
Performances	5.1	Traveling Speed	laden/unladen	Km/h		6,00/6,00	6,00/6,00
	5.2	Lifting Speed / Time	laden/unladen	m/s	s	0,040/0,060	0,040/0,060
	5.3	Lowering Speed / Time	laden/unladen	m/s	s	0,071/0,065	0,071/0,065
	5.8	Max. gradeability laden	laden/unladen	%		14/24	13/24
	5.9	Acceleration time (over 10 m)	laden/unladen	s		7,58/6,50	7,65/6,50
	5.10	Service brakes				electromagnetic	electromagnetic
Electric motors	6.1	Drive motor, rating S2 = 60 min		kW		1,2	1,2
	6.2	Lift motor, rating at S3 = 15%		kW		1	1
	6.3	Battery to IEC 254-2; A, B, C, no				BS	BS
	6.4	Battery voltage, capacity K _s		V/Ah		24/134 - 150	24/134 - 150
	6.5	Battery weight +/- 5% (dependant on manufacturer)		kg		165	165
	6.6	Energy consumption according to VDI cycle		kWh/h		0,38	0,38
Others	8.1	Drive control				3-phase pulse control	3-phase pulse control
	8.4	Noise peak at operator's ears		dB (A)		68,7	68,7

1.2	Manufacturer's model designation					EXU16	
1.4	Type of control (hand, pedestrian, stand-on, rider seated, order picker)						
2.1	Weight (incl. Battery)				kg		
2.2	Axle loadings laden		drive end/load end		kg		
2.3	Axle loadings unladen		drive end/load end		kg		
4.9	Height of tiller in drive position		mini/maxi	h ₁₄	mm		
4.19	Overall Length		Platform rider/pedestrian	l ₁	mm		
4.20	Length to front face of forks		Platform rider/pedestrian	l ₂	mm		
4.34	Working aisle width for pallets 800 x 1200 lengthwise (b ₁₂ x l ₆)		Platform rider/pedestrian	A _{st}	mm		
4.35	Outer turning radius/Initial lift down		Platform rider/pedestrian	W _a	mm		
	Outer turning radius/Initial lift up		Platform rider/pedestrian	W _a	mm		
5.1	Traveling Speed		laden/unladen		Km/h		

STILL	STILL
EXU20	EXU22
Electric	Electric
Pedestrian	Pedestrian
2000	2200
600	600
962/895,5	962/895,5
1379/1312,5	1454/1387,5
495	606
789/1699	908/1833
384/104	384/104
Polyurethane	Polyurethane
230 x 75	230 x 75
2 - 85 x 80	2 - 85 x 80
125 x 40	125 x 40
1x + 2/4	1x + 2/4
482	482
395	395
125	125
740/1250	740/1250
85	85
1725	1800
575	650
720	720
55/165/1150	55/165/1150
520/560/680	520/560/680
30/155	30/155
2028/2028	2102/2102
1590/1524	1664/1598
6,00/6,00	6,00/6,00
0,040/0,060	0,034/0,043
0,071/0,065	0,070/0,063
11/24	10/24
8,04/6,50	8,04/6,50
electromagnetic	electromagnetic
1,2	1,2
1,2	1,4
2PzS	3PzS
24/200 - 250	24/300 - 375
219	287
0,38	0,38
3-phase pulse control	3-phase pulse control
68,7	68,7

EXU18	EXU20	EXU22
	Rider	Rider
	545	656
	846/1689	908/1833
	384/104	384/104
	740/1250	740/1250
	1895/2285	1970/2360
	745/1135	820/1210
	2177/2545	2251/2619
	1738/2107	1812/2181
	1673/2041	1747/2115
	6,00/6,00	6,00/6,00

of platform not available



A = Braking
B = Driving

Thanks to its versatility, reliability and efficiency, the new EXU low lift pallet truck from STILL offers customers the right solution for every application. Being easy and safe to use for the operator was a focal point in its development, as was the compact build. This allows it to be used even in the tightest spaces, for example, when loading and unloading lorries, in narrow warehouses, or in business operations. Together with a highly energy efficient 3-phase drive and the wide range of options, the EXU is thus the ideal low lift pallet truck for intralogistics tasks in industry, trade and logistics. The EXU is available in capacities of 1600 kg, 1800 kg, 2000 kg and 2200 kg. A hinged platform is also available as an option.

Truck frame.

- Rounded contours facilitate the use of the EXU in tight spaces, such as on a lorry or supermarket aisles, for example.
- Good floor clearance with the forks raised allows trouble free negotiation of ramps, also giving good protection to the operator's feet.
- The cover is made of reinforced polypropylene to provide very high durability which, even after an impact, retains its original form.
- Extremely robust forks made from special steel sections with monobloc cast steel fork tips provide the greatest reliability in demanding use. The shape of the fork tips allows optimal entry into all pallets.

Steering.

- Easy to use in the tightest spaces thanks to the free running tiller steering.
- When the tiller is released it is brought back automatically into the vertical braking rest position by a gas spring. Here, a gas cylinder provides a damped stop.

Tiller.

- An ergonomic arrangement of the controls, suitable for right or left handed operators. The push buttons for the horn, lifting and lowering can also be reached in one handed operation without changing grip. This allows fatigue-free operation.
- The oversized buttons have been designed with indentations and projections to allow the operator to intuitively 'feel' each function even when wearing industrial gloves.
- The arrangement of the buttons ensures the simultaneous use of different controls and functions, such as lifting and driving for example.
- Safety to the operator's hands is increased due to all round hand guards and the rounded frame.
- The switch elements (micro switches) and tiller PCB are sealed to IP 65, and all plug connectors and cable harnesses are protected to IP 54, helping to prevent the ingress of dust and water.
- The ergonomically shaped impact switch in the tiller head eliminates the risk of crushing to the operator, even with the tiller almost vertical. The EXU automatically switches from forward to reverse when the impact switch touches the operator.
- High stability of the tiller head due to the use of glass fibre reinforced polyurethane and a tiller arm made of cast aluminium.

Drive.

- Powerful, economical and hence cost saving, thanks to a 1.2 kW 3-phase drive motor.
- Excellent drivability is adaptable to demand thanks to two drive programmes, ECO and BOOST (two positions on the key switch).
- In "ECO" mode (Tortoise button), the motor runs at its normal characteristics, i.e. it draws a lower current and accelerates smoothly up to 4 km/hr. This gives a highly competitive operating period per battery charge.
- In "BOOST" mode (Hare button), the motor runs in a higher power range and offers very high torque and faster acceleration to a higher top speed of 6 km/hr, even when fully laden and regardless of gradient. In this mode, the EXU's available operating period remains the norm for its class, but productivity increases by as much as 25% in comparison.
- A speed sensor connected to the control unit provides soft, stepless acceleration of the EXU up to maximum speed, regardless of the load on the forks.
- The truck automatically brakes when the drive switch is released. When this happens - or when the driver applies the brakes - the AC motor acts as a generator and the kinetic energy which would otherwise be lost is recovered and stored in the battery.
- When stationary on a ramp, or when the drive switch is released, the controller monitors every rolling movement of the truck and prevents uncontrolled rolling back by applying the brake.

Hydraulic system.

- A compact 1 to 1.4 kW pump and motor unit allows short lift times - even when fully laden - providing high handling capacity.
- On reaching the maximum lift the pump is automatically shut off, reducing the energy consumption and servicing costs by 10 - 20%, depending on the application. The maximum pressure valve protects the truck from damage caused by overloads.

Brake system.

- The braking is supplied by two independent systems:
- Soft braking with energy recovery which is activated by releasing the butterfly switch or by plugging (different braking characteristics will apply depending on the drive mode selected, i.e. "Hare" or "Tortoise").
 - The totally encapsulated electromagnetic disc brake system acts as both a safety braking system and as a parking brake. The braking takes place automatically with the tiller in the horizontal or vertical position (dead man brake).

Battery.

- The drive control and resulting low energy requirement allows the use of compact batteries with a lower capacity - even for longer use applications.
- Three different battery trays are available to take batteries (wet, low-maintenance or maintenance free) with capacities from 24 V/150 Ah to 24 V/375 Ah, in order to optimally match the truck to the application.
- The batteries are easily accessible and can be changed using a hoist.
- Side battery changing is available as an option for all models with tray 2 PzS.

Support rollers.

- For demanding applications - such as driving on ramps - the centrally driven EXU has extremely robust support castors.
- These can be easily and quickly adjusted from above.

Load rollers.

- Tandem rollers as standard (except for EXU 16 with single rollers).
- Greased axles with lubricating facilities are also available for use in damp environments.

Drive wheel.

- Polyurethane as standard.
- The particularly large dimensions (Ø 230 x 75 mm) guarantee excellent traction for every application, however hard.

Standard equipment.

- Fork lengths of 800 mm, 1000 mm, 1150 mm, 1200 mm, 1400 mm or 1600 mm (others on request). For the EXU 20, lengths of 1800 mm and 2400 mm are also available.
- Fork widths of 520 mm, 560 mm or 680 mm.
- 3 position switch with 2 drive modes ("Hare"/"Tortoise").
- Combi instrument for battery state of charge with integral hoist cut out and work hour meter.
- Integral storage compartments designed for pens, drinks, DIN A4 documents, etc.
- Writing surface with integral paper clip.

OPTISPEED 3.0

- With the latest development of the AC Controller in combination with a redundant angle sensor in the tiller, STILL has incorporated an innovative, ergonomic, safe function.
- The speed will automatically be adjusted to suit the angle at which the tiller is held, thus slow travel is possible with the tiller vertical, making manoeuvring in the tightest space very easy and safe and also making it practically impossible to drive over your feet even in the tightest of spaces.

Optional.

- Load backrest 1700 mm high.
- Sprung, hinged stand-on platform on the EXU 20.
- Different versions of the drive wheel for optimal traction and clean floors (solid rubber, non-marking, etc.).
- Axles with greasing provision for damp environments.
- Integral on-board charger compatible with all battery capacities.
- Cold store version down to minus 30° C.
- Unique modular accessory system thanks to multi-function bracket.
- Adjustable A4 writing surface.
- Access control by a PIN code entry.
- Access control management with STILL FleetManager.

Safety.

- Trucks comply with the EC guideline 98/37 and carry the CE symbol.
- STILL is certified to ISO 9001.

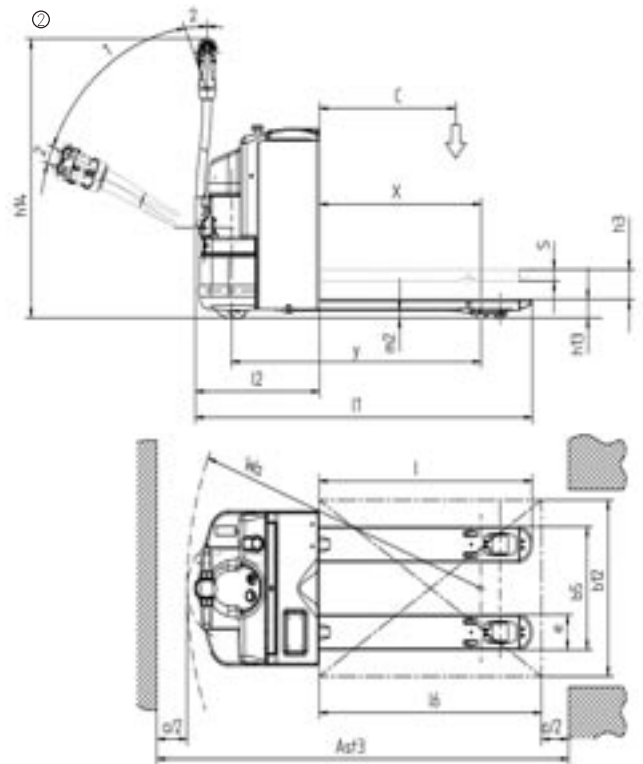
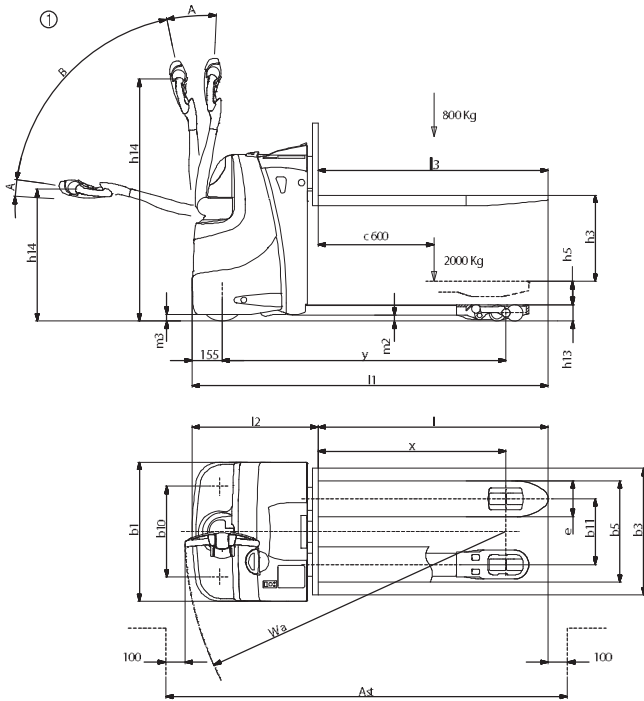
STILL EXU pedestrian low lift pallet truck.

- A wide range of variants and options for different intralogistics tasks.
- 2 driving programmes, ECO and BOOST, for optimised economy or maximum power.
- Tiller grip optimised for right and left handed operatives, Enclosure Class IP 65.
- Optispeed control of the speed dependent on the tiller angle, for high operating safety.
- Compact build for efficient working in narrow spaces.
- Robust fork tips in cast steel with optimised shape for easy pallet pick up.
- Practical, easily reached storage compartments.

Characteristics	1.1	Manufacturer			STILL ①	STILL ②		
	1.2	Manufacturer's model designation			EXU-H	EGU 30		
	1.3	Power supply (electric, diesel, petrol, gas, mains electric)			Electric	Electric		
	1.4	Type of control (hand, pedestrian, stand-on, rider seated, order picker)			Pedestrian	Tiller		
	1.5	Carrying capacity/load	Q	kg	2000/800	3000		
	1.6	Load centre	c	mm	600	600		
	1.8	Load distance	x	mm	1028	872		
	1.9	Wheelbase	y	mm	1468	1347	1419	
	Weights	2.1	Weight (inc. battery)		kg	550	354	363
2.2		Axle loading laden	drive end/load end	kg	972/1586	1037/2529 (1043/2531)1065/2586 (1077/2591)		
2.3		Axle loading unladen	drive end/load end	kg	422/128	432/134 438/136) 490/161 (503/165)		
Wheels Chassis	3.1	Tyres			Polyurethane	Polyurethane		
	3.2	Tyre size	drive end	mm	Ø 230x75	250/100		
	3.3	Tyre size	load end	mm	2x Ø 85x60	85x70		
	3.4	Support roller size		mm	2x Ø 125x40			
	3.5	Wheels, number (x = drive wheel)	drive end/load end		1x-2/4	1x-2/4		
	3.6	Track width	drive end	b _{1.0}	mm	469		
Basic dimensions	3.7	Track width	load end	b _{1.1}	mm	388	358 / 398 / 488	
	4.4	Lift		h ₃	mm	560	135	
	4.6	Initial lift		h ₅	mm	130		
	4.9	Tiller height in drive position	min./max.	h _{1.4}	mm	740/1230	782/1252	
	4.15	Fork height lowered		h _{1.3}	mm	91	85	
	4.19	Overall length unladen		h	mm	1785	1819	1891
	4.20	Length inc. fork back		l ₂	mm	646	671	743
	4.21	Overall width		b ₁	mm	720	710	
	4.22	Fork dimensions		s/e/l	mm	55/184/1190	50/162/1150	
	4.25	Overall fork width		b ₅	mm	564	520/560/650	
	4.32	Floor clearance, centre of wheelbase		m ₂	mm	20	168	
4.34	Working aisle width for pallet 800 x 1200 lengthways (b _{1.2} x l ₂)		A _{st}	mm	2033	2112	2184	
4.35	Turning radius		W _a	mm	1661	1584	1656	
Performance data	5.1	Travel speed	laden/unladen	km/h	6.0/6.0	6/6		
	5.2	Lifting time	laden/unladen	s	3.0/2.2	0.03/0.076		
	5.3	Lowering time	laden/unladen	s	3.0/3.0	0,045		
	5.8	max. gradeability kB 5	laden/unladen	%		7/20		
	5.9	Acceleration time (over 10 m)	laden/unladen	s				
	5.10	Service brake			electromagnetic	electrical, by releasing the drive switch		
E-Motor	6.1	Drive motor, Rating S2 = 60 min		kW	1.2	2.5		
	6.2	Hoist motor, Rating at S3 = 15%		kW	2.2	1.8		
	6.3	Battery to DIN 43531 /35/36; A, B, C, no			IEC 254-2; B	DIN 43535 B		
	6.4	Battery voltage, rated capacity K _s		V/Ah	24V/240Ah	24/220 (250)	24/330 (375)	
	6.5	Battery weight ± 5% (dependent on make)		kg	220	212 (220)	288 (305)	
	6.6	Energy consumption to VDI cycle		kWh/h				
Other	8.1	Drive control			Pulse control	Electric		
	8.4	Sound level, at driver's ear		dB (A)	68	< 70		

Optional hinged platform (rider/pedestrian)

1.2	Manufacturer's model designation				EXU-H	
1.5	Carrying capacity/load	Q	kg		2000/800	
2.1	Weight (inc. battery)		kg			
2.2	Axle loading laden	drive end/load end	kg			
2.3	Axle loading unladen	drive end/load end	kg			
4.9	Tiller height in drive position	min./max.	h _{1.4}	mm	1035	
			h _{1.4}	mm	675	
4.19	Overall length unladen		h	mm	2313	
			h	mm	1922	
4.20	Length inc. fork back		l ₂	mm	1077	
			l ₂	mm	685	
4.34	Working aisle width for pallet 800 x 1200 lengthways (b _{1.2} x l ₂)		A _{st}	mm	2486	
			A _{st}	mm	2110	
4.35	Turning radius		W _a	mm	2114	
			W _a	mm	1738	
5.1	Travel speed	laden/unladen	km/h		6.0/6.0	



EXU-H.

As a variant on the standard low lift pallet truck, the EXU-H has the same product benefits as the new EXU range. In addition to this, there are important special features which make the EXU-H a perfect all-round truck:

- Extra order picking lift of 690 mm lift height giving a picking height of 775 mm from the floor, taking the strain off the back, and reducing fatigue levels.
- Additional area of application as an order picker, mobile working table with variable working height, in the block storage or as a high lift pallet truck.
- With a capacity of 2000 kg the initial lift allows the EXU-H to be used as a loading and unloading truck.
- The order picking lift has a residual capacity of 800 kg (at 600 mm load centre).
- Hoisting and lowering as standard from auxiliary buttons on the tiller; basic lift and order picking lift can be controlled separately.

Standard equipment.

- Standard fork lengths from 1190 mm.
- Fork widths 524 mm or 564 mm.
- A4 writing surface with paper clamp integrated into the battery lid.
- Battery tray can take batteries with a capacity of 24 V/200 Ah.

Options for EXU-H.

In addition to all the options available for the standard EXU, the EXU-H can be equipped with the following further options:

- Special load back rest 800 mm high to ensure greater safety with the pallet raised.
- Hinged and sprung stand-on platform for transport duties over medium or longer runs.
- Entry and exit rollers on the fork tips to facilitate the picking up of pallets from the side.

